

## **Operation manual for the lighting systems**



- ◆ **aquastarlight**
- ◆ **aquastarlight future**
- ◆ **aquaspacelight**

In purchasing this unit you have selected a top quality product. It has been specifically designed for aquarium use and has been tested by experts. High quality components and newest technology as well as modern design guarantee, that you will enjoy your aquarium lighting for many years.

# 1. Technical Data

**Power requirements:** 230 Volt, 50 Hz, if not noted otherwise on the ID-label.

<b>Dimensions:</b>	<b>aquastarlight</b>	<b>aquastarlight future</b>	<b>aquaspacelight</b>
Single lighting:	60 x 12 x 7.5 cm 24 x 4.8 x 3 inch	60 x 20 x 7.5 cm 24 x 8 x 3 inch	60 x 30 x 7.5 cm 24 x 12 x 3 inch
Double lighting: (+ moonlight/Dulux)	120 x 12 x 7.5 cm 48 x 4.8 x 3 inch	120 x 20 x 7.5 cm 48 x 8 x 3 inch	120 x 30 x 7.5 cm 48 x 12 x 3 inch
Triple lighting:	180 x 12 x 7.5 cm 72 x 4.8 x 3 inch	180 x 20 x 7.5 cm 72 x 8 x 3 inch	180 x 30 x 7.5 cm 72 x 12 x 3 inch

The lighting systems are delivered either with bulbs for marine or for freshwater aquariums.

## Bulbs:

Sea water version: 70/150/250 W **aqualine 10000** (colour temperature 13.000 K)

Fresh water version: 70/150/250 W **aqualine 5000** (colour temperature 5.000 K)

**aquastarlight** and **aquastarlight future**: Moonlight: 25 W, dimmable

**aquaspacelight**: Dulux, blue, 24 Watt and Dulux white, 55 Watt

<b>Weights:</b>	<b>aquastarlight</b>	<b>aquastarlight future</b>	<b>aquaspacelight</b>	<b>aquaspacelight + Dulux</b>
1 x 70 Watt	5.1 kg/ 11.3 lbs	5.6 kg/ 12.3 lbs	5,7 kg/ 12.6 lbs	
2 x 70 Watt	10.0 kg/ 22.1 lbs	11.0 kg/ 24.3 lbs	11,2 kg/ 24.7 lbs	11,8 kg/ 26.0 lbs
3 x 70 Watt	15,0 kg/ 33.1 lbs	16.5 kg/ 36.4 lbs	16,4 kg/ 36.2 lbs	
1 x 150 Watt	6.2 kg/ 13.7 lbs	6.7 kg/ 14.8 lbs	6,4 kg/ 14.1 lbs	
2 x 150 Watt	12.1 kg/ 26.7 lbs	13.1 kg/ 29.0 lbs	12,5 kg/ 27.6 lbs	13,1 kg/ 28.9 lbs
3 x 150 Watt	18,2 kg/ 40.1 lbs	19.7 kg/ 43.5 lbs	18,5 kg/ 40,8 lbs	19,6 kg/ 43.3 lbs
1 x 250 Watt	9.0 kg/ 19.9 lbs	9.5 kg/ 21.9 lbs	7,3 kg/ 16.1 lbs	
2 x 250 Watt	15.0 kg/ 33.1 lbs	16.0 kg/ 35.3 lbs	15,0 kg/ 33.1 lbs	15,6 kg/ 34.5 lbs
3 x 250 Watt	27 kg/ 59,6 lbs	28,5 kg/ 62.9 lbs	21,2 kg/ 46.9 lbs	22,3 kg/ 49.2 lbs
2 x 55 Watt Dulux			5,4 kg/ 12.0 lbs	

## 2. Unpacking

Control the lighting system immediately after unpacking with respect to any damages. In case of complaints please contact directly your dealer.

## 3. Safety advices

- The lighting system cannot be used as aquarium cover. It has to be mounted only above the aquarium. The minimum distance between lighting and aquarium must be at least 30 cm.
- The lighting system may not be operated without the protection glasses. The non filtered UV light may damage the aquarium inhabitants and also people.
- The housing and protection glasses may become hot during operation. Be cautious when touching them!
- Before any replacement of bulbs disconnect the lighting system from the main connection and let it cool down. Afterwards take the lighting down.
- When cleaning, take care that no humidity passes the ventilation slits and enters the interior of the lighting system!
- Pay attention to a sufficient thermal exchange. Keep the ventilation slits always free! Do not mount the system in enclosures or behind panels. Missing aeration may result in overheating and damage of the electrical components, what may be the cause of noise production.
- Do not try to repair the lighting system. Please send it in for checking, preferably with a list of defects.

## 4. Installation

**Suspension:** The lighting comes with a steel cable. It can also be suspended with a chain (only starlight) or by using our wall mounting **aquawall** which is available as accessory.

The wire suspension system provides a neat and simple method of ceiling mounting **aquastarlight** other suitable luminaires.

Contents: The suspension system comprises 2 of each of the following:

- 2 metre stainless steel wire with ferrule
- Ceiling plate c/w retaining bush
- Luminaire attachment c/w plastic washer
- screws and plugs

## Mounting:

The ceiling plate (1) must be securely screwed to the ceiling. Suitable screws and plugs are provided but you should ensure your ceiling is capable of holding the weight of the luminaire in this way. It may be necessary to use specialised cavity plasterboard fixings or to screw through into blocks you have fitted behind the ceiling. The suspension points are 14 cm from each end of the **aquastarlight**. The distance between suspension point centers is therefore:

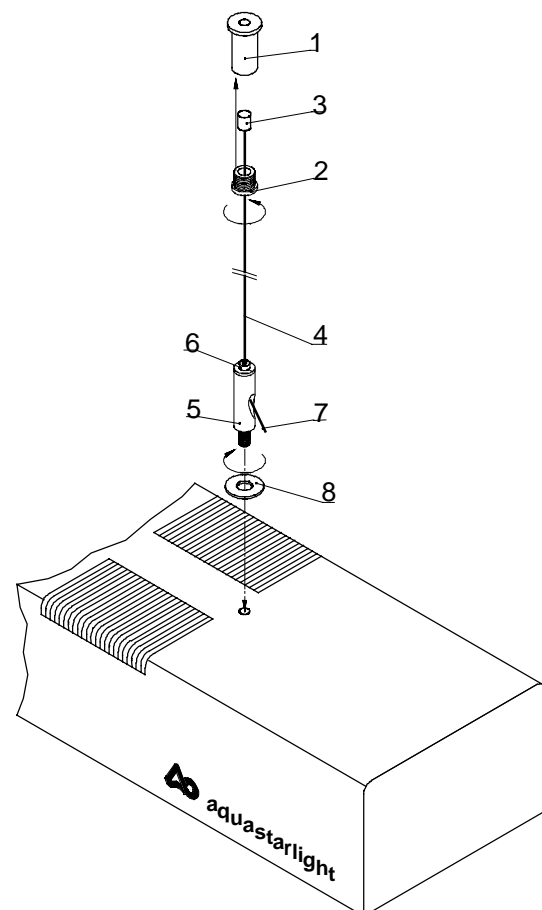
- single lamp ( 60 cm total length): 32 cm
- twin lamp (120 cm total length): 92 cm
- triple lamp (180 cm total length): 158 cm
- single lamp for aquarium Percula (87,5 cm total length): 59,5 cm

The stainless steel wire (4) is now fed through the retaining bush (2) of the ceiling plate (1), so that the ferrule (3) is retained inside the ceiling plate. The retaining bush is screwed onto the ceiling plate allowing the stainless steel wire to hang free.

The protective plugs in the back of the **aquastarlight** are removed and the luminaire attachments (5) are screwed in, ensuring, that the plastic washer (8) is placed between the **aquastarlight** and the luminaire attachment. The end of the stainless steel wire (7) is fed through the luminaire attachment from the top, via the non return cap (6). It is drawn through the side opening and the luminaire is adjusted to the correct height from the aquarium (minimum 30 cm above the water level). When the luminaire is mounted in the correct position, any surplus wire may be cut off with pliers.

To remove the luminaire, or readjust the height, the non return mechanism is released by pushing down on the top cap (6) of the luminaire attachment. **CAUTION:** Ensure the luminaire is adequately supported. The stainless steel wire can now be removed from the luminaire attachments.

**Pay attention to the required minimum distance of 30 cm to the water surface!**



- |                         |                         |
|-------------------------|-------------------------|
| 1. Ceiling plate        | 2. Retaining bush       |
| 3. Ferrule              | 4. Stainless steel wire |
| 5. Luminaire attachment | 6. Top cap              |
| 7. End of the wire.     | 8. Plastic washer       |

## Electrical connection:

The **aquastarlight** can be connected to any safety socket or to a timer if automatic operation is desired. Lighting systems inclusive moonlight can be operated either with two timers or the **AQUA MEDIC Light Computer**.

**Caution:** If the mains plug of a lighting is pulled out during operation, note that high voltages remain at the contact pins for a longer time.

**Avoid touching them!**

## 5. Replacement of bulbs

Disconnect the lighting from the mains connection and let it cool down.

Take the lighting down.

Unscrew one of the side panels and pull out the filter disc to the side.

The replacement of the bulbs differs depending on the type of bulb.

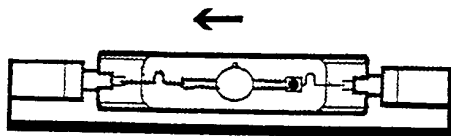


Fig. II

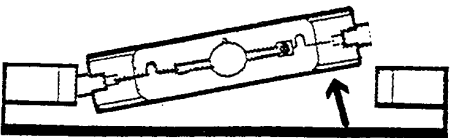


Abb. III

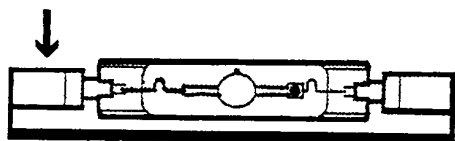


Fig. IV

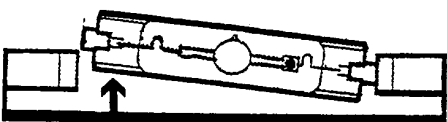


Fig. V

### 70 and 150 W bulbs:

Removal: Pressing one base of the bulb against the spring pressure deeply into the holder (Fig. II) until it is possible to remove the second base (Fig. III).

Inset: Do not touch the cylindric part of the new bulb! Take it at the small side.

### 250 W bulbs:

Removal: Press at one side the thumb onto the base (Fig. IV) and push with the other hand from below until the bulb gets out of the base (Fig. V).

Repeat this on the other side and remove the used bulb.

Inset: Do not touch the cylindric part of the new bulb! Insert the new bulb and push the bases simultaneously into the holders.

**Note:** Fingerprints etc. on the cylindric part of the bulb can be easily removed with alcohol or methylated spirit.

## 6. Maintenance and Care

The bulbs have a life span of approximately 6,000 hours. This corresponds to around 1.5 years with a daily illumination time of 10 hours. It is recommended to replace the bulbs before this time because performance and colour composition change towards the end of the lifespan.

Clean the filter glass regularly (Caution: let it cool down!) from residues from water splashes and evaporation with a moistened cloth. Never use additional cleansing agents!

## 7. Warranty

**AQUA MEDIC** guarantees on material and production defects of the lighting system 24 months after date of purchase.

This warranty will not apply to damages caused by improper installation, misappliance or modifications of the lighting system by the user.

**AQUA MEDIC** is not liable for any consequential damages caused by the use of this product.

The bulbs are excluded from this warranty.

Warranty only by proof of purchase with the original invoice.

- Technical changes reserved -

An optional patented wall mounting **aquawall** is available as accessory for **aquastarlight**, **aquastarlight future** and **aquaspacelight**.

## >>aquawall<<

### General

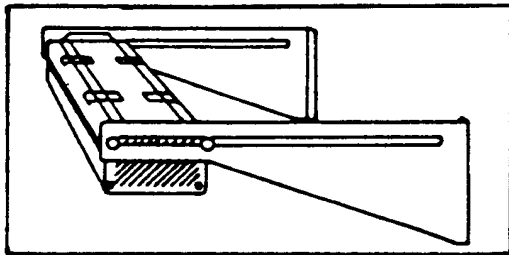


Abb./Fig. I: aquawall

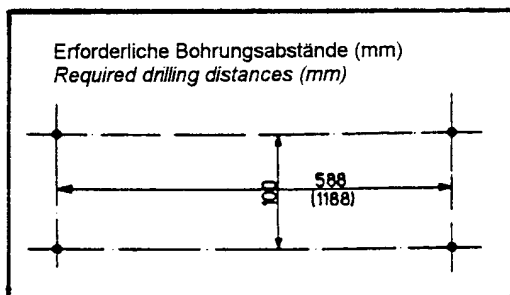


Abb./Fig. II

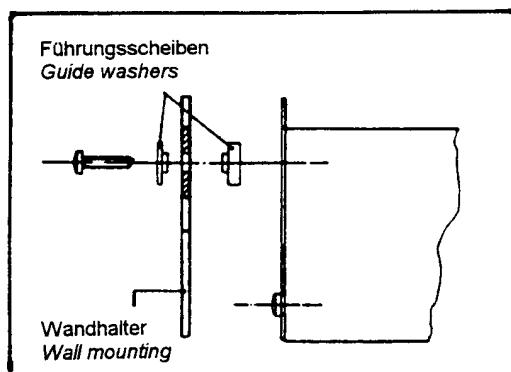


Abb./Fig. III

The wall mounting **aquawall** replaces cables or chains to suspend the **aquastarlight**.

With **aquawall** the lighting can be shifted backwards (fig. I) which makes hindrance-free maintenance work possible.

### Mounting

1. Drill the appropriate holes into the wall above the aquarium.

See figure II for the required drill distances for the wall mounting.

For the choice of the right fastening screws take the weight of the lighting system into consideration! Depending on the composition of the wall (concrete, bricks,...) the size of the screws has to be 6 mm.

2. Mount the two wall brackets onto the wall.

3. Remove the upper two screws from the side panels of the lighting.

Hold the lighting -assisted by a further person- between the two wall brackets.

4. Screw the enclosed longer screws and the guide washers through the wall mounting on the lighting (fig. III).

**NOTE:** The minimum distance between lighting system and water surface must be at least 30 cm!

-technical changes reserved