

AquaStart 320/500

Aqua One®



Instruction Manual

Important Safeguards

This appliance is not intended for use by children or infirm persons without supervision. Young children should be supervised to ensure that they do not play with the appliance.

Warning: To guard against injury, basic safety precautions should be observed, including the following:

1. Read and follow all safety instructions before using this appliance.

2. Danger: To avoid possible electric shocks, special care should be taken since water is employed in the use of aquarium equipment, for each of the following situations do not attempt repairs yourself. Return the appliance to an authorised service facility for service or discard the appliance.

a) If the light falls into water, do not reach for it, unplug it and then retrieve it. If the electrical components of the appliance get wet, unplug the appliance immediately (non immersible equipment only).

b) If the aquarium shows any sign of abnormal water leakage, immediately unplug it from the power source.

c) Carefully examine the aquarium after installation. It should not be plugged in when there is water on parts which are not intended to be wet.

d) Do not operate any aquarium if it has a damaged cord or plug, or if it is malfunctioning, or dropped or damaged in any manner.

A “drip loop” (see the diagram) should be arranged by the user for each cord connecting an aquarium component to a receptacle. The drip loop is the part of the cord below the level of the receptacle or the connector if an extension cord used. It is used to prevent water traveling along the cord and coming in contact with the receptacle.

If the plug or receptacle does get wet, do not unplug the appliance. Disconnect the fuse or circuit breaker that supplies the power to the appliance, then unplug and examine for presence of water in the receptacle.

3. Close supervision is necessary when the appliance is used by or near children.

4. Always unplug the aquarium from the electrical outlet; when not in use, before putting on or taking off parts, before any type of maintenance, or cleaning. Never yank the cord to pull it from the outlet. Grasp the plug and unplug to disconnect.

5. Do not use the aquarium for reasons other than the intended use. The use of attachments that are not recommended or sold by the aquarium manufacturer may cause the product to be unsafe. This is not recommended.

6. Do not install or store the aquarium where it will be exposed to weather or temperatures below freezing.

7. Make sure any component mounted on a tank is securely installed before operating it.

8. Read and observe all the important notices on the aquarium.

9. Ensure input voltage is the same voltage as your local power supply.

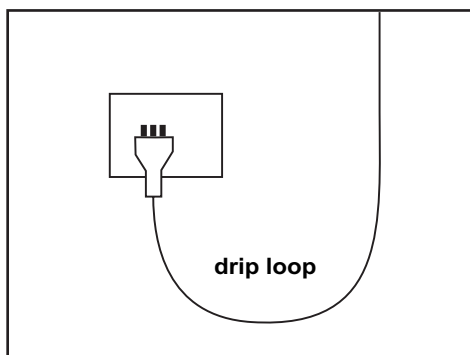
10. If an extension cord is necessary, a cord with a proper rating should be used. Care should be taken to arrange the cord so that it will not be tripped or pulled.

11. A **G.F.C.I** (Ground fault circuit interrupter) & surge protector is recommended for all electrical appliances

12. Ensure your hand is dry when turning the power switch on/off and when inserting/removing the power cord from the receptacle.

13. If you are in any doubt about the electrical installation or safety of this product you must consult a qualified electrician.

For Guarantee Conditions, please refer to the Guarantee form that is enclosed with this product.



Before First Use / Preparation

Read and follow all the instructions, even if you feel you are familiar with the product and find a place to the instructions handy for future reference. Your attention is drawn particularly to the sections concerning "IMPORTANT SAFEGUARDS" and the "WARRANTY CONDITIONS". Please insure you retain your original purchase receipt in the event that warranty service is required.

Carefully unpack the aquarium making sure you keep all the packing material until all the parts of the product have been found and the product has been assembled.

This Product is shipped to you in a factory sealed carton. Should the Product be damaged, dropped, malfunctions in any way, or if the glass is damaged and requires replacement, contact the retailer where the product was purchased for inspection.

Know Your Tank

320: (28L) 30 W x 33 H x 38cm D
500: (65L) 50 W x 52 H x 35cm D

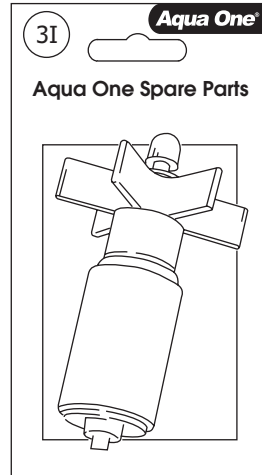
Features of the AquaStart



Replacement Parts & Filter Media

Use Aqua One Genuine Spare Parts Only. See your local Aqua One Dealer and look for the number listed below for the spare part you require. Alternatively you will find these numbers on the silver label located on the product.

320 Impeller	1I
500 Impeller	3I



Set Up Instructions

1. Remove all of the filter accessories from the box inside the aquarium.

2. Wash your hands and arms. It is very important to remove dirt, moisturizer and other impurities. Do this whenever you work on the aquarium.

3. Wash the following:

Glass Tank (inside) Under Gravel Filter Plate, Power Head and both Filter outlets. DO NOT WASH IN SOAP OR DETERGENT.

4. Connect power head to small uplift riser that is attached to the under gravel plate make sure it is installed firmly Fig 1.

5. **Outlet Option 1:** Connect the extension tube with the outflow head into the top of the **Power Head** Fig 2.

6. **Outlet Option 2:** Connect the extension tube with the spray bar to the outlet of the **Power Head** (located on top of the Power Head). Fig 3

8. Open the Lid on the aquarium and fold back the Hinges Fig 4.

9. Place the completed Under Gravel Filter Unit on the base of the aquarium Fig 5 Note: the **Power Head** is a Water Proof Unit.

10. Consider where you are going to place the aquarium. Keep it away from direct light or areas with large temperature fluctuations.

11. Place the aquarium on a flat level surface strong enough to support its weight. We recommend a genuine **Aqua One Aquarium Cabinet** (sold separate) rather than general household furniture Fig 6.

12. Wash aquarium gravel. Use coarse gravel. A fine one will go through the Under Gravel plate and damage the **Power Head**.

13. Place a portion of gravel into a bucket, run water through & churn it over with your hand until the water running out of the bucket is clear. It is important to wash the gravel thoroughly.

Repeat this process several times until all the gravel has been washed Fig 7.

14. Spread washed gravel over the base of the aquarium make sure the filter plate is completely covered (**see Tips**) Fig 8.

15. At this stage place plastic plants, decorations and heater (**see Tips**) in to the Fig 9.

16. Fill the aquarium with tap water to the level indicated in Fig 10.

17. In order to oxygenate the aquarium it is important to agitate the water surface. You must extend either outlet to the aquarium surface Fig 11.

18. Use **Aqua One** quality Water Conditioner (sold separate) to remove harmful chemicals from tap water. E.g. chlorine (**see Tips**) Fig 12.

19. If you have installed the out let with the spray bar attachment make certain the holes are not facing upwards.

20. Plug in the **Power Head, Light Unit** and Heater (if installed) and turn on. Fig 13. Refer to Important Safety guards for set up of the **Drip Loop**.

21. Test and adjust pH levels Fig 14.

22. Close the lid and turn the light switch on, ensure the light works. Fig 15.

23. Allow the aquarium to stand for 3 to 4 days before the introduction of any fish.

24. Seek advice from your retailer for correct fish numbers and specie compatibility.

TIPS

- **The Gravel must be 3.5 to 4cm thick.**

- **An Aqua One heater and Thermometer is required if you are setting up a tropical or saltwater aquarium. Refer to heater instructions for correct set up and positioning.**

- **Chlorine and other heavy metals will harm your fish. Aqua One water conditioner will remove these impurities and create a safe environment for your fish.**



Fig 1



Fig 2



Fig 3



Fig 4



Fig 5



Fig 6



Fig 7



Fig 8



Fig 9



Fig 10



Fig 11



Fig 12



Fig 13



Fig 14



Fig 15

Introduction of Fish

Note: This is only a guide! You should seek professional advice from your aquarium specialist at the time of purchase.

DO NOT ADD ALL FISH AT ONCE!

Build stock levels slowly over time. Allow at least one week between additions add a filter supplement to help the biological system cope with the additional waste.

Do not over crowd. Remember all fish will grow, so allow them adequate space.

Tank Maintenance

See diagrams on next page...

DAILY Feed your fish as per instructions on your fish food container.

WEEKLY Test and adjust pH levels if needed.

Use **Aqua One** quality pH test kit, available from your local **Aqua One** Dealer. pH is a measure of how acidic or alkaline the water is. It is measured on a scale of 0-14 in which 7 is neutral, less than 7 is acidic and more than 7 is alkaline.

Some species require specific pH levels please seek advice from your aquarium specialist.

FORTNIGHTLY 25% Water Change

What you will need: A bucket, gravel cleaner, a towel, water conditioner, bio booster and clean hands.

1. Open the **Lid** of the aquarium - fold back hinges.
2. Turn the **Power Head** off.
3. The fish and plants do not need to be removed when doing any maintenance.
4. Place the towel on the floor in front of the aquarium to guard from water spillage.
5. Use an **Aqua One 4 in 1** algae scraper and gently scrape away any algae growing on the glass or filter pipes.
6. Using an **Aqua One Gravel Cleaner*** empty approximately 25% of the aquarium water into the

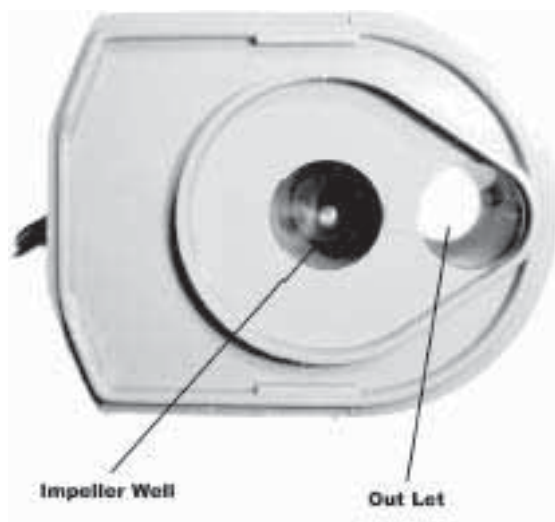
- bucket. Take note of how much water is emptied.
7. Fill the bucket up with the same amount of water that was removed from the aquarium.
8. Treat the tap water with **Aqua One Water Conditioner** as per the instructions on the bottle.
9. Let the bucket sit for 10 minutes
10. Fill the aquarium up slowly to the level indicated in Fig 10
11. Turn the **Power Head** back on and ensure that water is flowing through of the **Filter outlet**.
12. Test and adjust pH levels.
13. Add bio booster.
12. Close the **Lid**.

* Refer to the instructions on the back of your gravel cleaner to ensure correct use.

MONTHLY See diagrams on next page...

1. Turn the power off and unplug both power leads.
2. Open the **Lid** of the aquarium - fold back hinges.
3. Place the towel on the floor in front of the aquarium to guard from water spillage.
4. Move the gravel away from the **Power Head**.
5. Disconnect the outlet from the top of the **Power Head**.
6. Place one hand on the gravel to stop the **Under Gravel Filter Plate** from moving. With your other hand gently lift the **Power Head** from the aquarium. **DO NOT LET ANY GRAVEL GO DOWN THE UP LIFT RISER.**
7. Place the **Power Head** and **Outlet** in a bucket and take them to the sink.
8. Pull **Impeller Cap** off bottom of **Power Head**, this will uncover **Impeller**.
9. Grasp the **Impeller blades** and remove from the **Impeller well**.
10. Use a double ended pipe brush to clean **Impeller** and inside of the **Impeller well**.
11. Also run a pipe brush through the **Outlet**.
12. Reconnect all parts and place the **Power Head** back into the aquarium.
13. Push the gravel back around the **Power Head**.
14. Ensure the power lead is not wet and plug it back in.
15. Turn the power back on and check that water is flowing though the **Outlet**.
16. Close the **Lid**.

Filter Maintenance Diagrams



Trouble Shooting

If you are in any doubt about the electrical installation or safety of this product you must consult a qualified electrician.

LIGHT UNIT DOES NOT WORK

1. Ensure switch is in the on position on the top of the Light Unit.
2. Check light is plugged into power supply and the switch is on
3. Check the globe is in good condition. Replace if needed

POWER HEAD WORKING BUT NO / SLOW WATER FLOW

1. Check impeller is in good condition and replace if needed
2. Make sure water level in aquarium is above the Power Head. Please note the Power Head is a water proof unit.
3. Clean impeller, power head and all inlet and outlet pipes.
4. Check that the Spray Bar is inserted correctly with the end cap at the opposite end to the elbow.

AQUARIUM POSSIBLY LEAKING

1. Make sure spray bar holes are not pointing up
2. Make sure water level is not too high Refer to Fig 10
4. If an air stone is being used check it is not bubbling water over the rim of the aquarium if so turn the air pump down.
5. Make sure the aquarium is sitting on a level surface.
6. If it is a salt water aquarium remove any salt creep as it can drain water from the aquarium.

7a. Turn the power head off. Mark the water level. Remove any excess water that may be sitting on the edge of the aquarium. Leave for an hour. If water level drops proceed to step 7b.

7b. Remove the fish, decorations and gravel. Empty the aquarium and clean the glass **DO NOT WASH IN SOAP OR DETERGENT.**

Place a piece of newspaper on a flat level solid surface. Carefully fill the aquarium ensuring not to spill any water on to the newspaper. Leave the aquarium for several hours and then inspect the newspaper for wet patches.

Aquarium Model: AquaStart 320
Dimensions: 31 x 32 x 33cm (4mm glass)
Aquarium Volume: 28L
Filter Flow Rate: 400l/hr
Light Wattage: 1 x 11W
Power Requirements: 220 ~ 240 V
Suitable: Coldwater, Tropical, Marine

Aquarium Model: AquaStart 500
Dimensions: 50 x 52 x 35cm (4mm glass)
Aquarium Volume: 65L
Filter Flow Rate: 400l/hr
Light Wattage: 1 x 11W
Power Requirements: 220 ~ 240 V
Suitable: Coldwater, Tropical, Marine



Precision Manufactured in the P.R.C.
Designed in Australia by Aqua One
Distributed in Australia by:
Kong's (Aust.) Pty. Limited
48 Williamson Rd. Ingleburn.
2565 NSW Australia.

Distributed in New Zealand by:
Kong's (NZ) Limited
52 Glenlyon Avenue. Greerton.
Tauranga New Zealand.

Distributed in Hong Kong by:
Kong's Aquarium Supplies Co., Ltd
No 31, 3/F Thriving Industrial Centre
26-38 Sha Tsui Road, Tsuen Wan,
Hong Kong.

Distributed in the UK by:
Kong's (UK) Limited,
C/O Aqua Pacific UK Ltd.
PO Box 268
Romsey Hampshire
SO51 0WW
United Kingdom.

Aqua One®

www.aquaone.com.au

© Aqua One and Kong's are registered trademarks.

Keep an eye out for these Aqua One products at your local retailer...



Fish keeping has never been easier...

Aqua One specialises in all of your aquarium needs.

Aqua One uses state of the art technology which results in the most efficient and superior aquarium products.

The Aqua One range includes a wide range of curved glass aquariums, air pumps, filters, power heads, heaters, reflectors, under water lighting, along with fish foods, cleaning and maintenance accessories and decorations.